

PROPRIETARY NOTICE: This document contains proprietary information of AAT Inc. neither the document nor said proprietary information shall be published, reproduced, copied, disclosed or used for any purpose other than consideration of this document without the express written permission of a duly authorized representative of said Company.

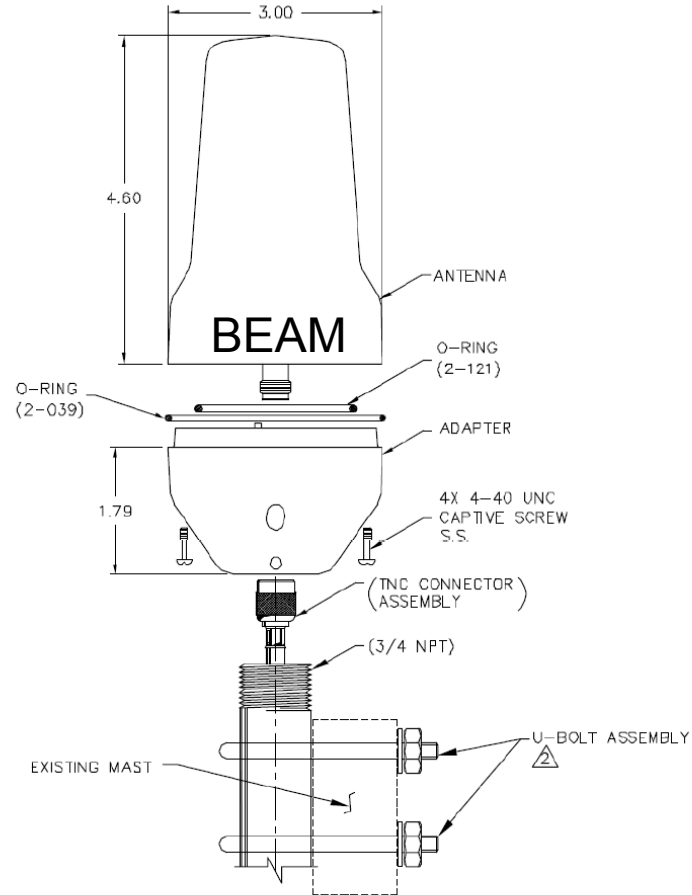
REVISIONS			
SYM	DESCRIPTION	DATE	APPROVED
A	PRODUCTION RELEASE	11/11/04	

NOTES: UNLESS OTHERWISE SPECIFIED

- LOGO OPTIONAL
- U-BOLT ASSEMBLY WILL ACCEPT .75-1.00 OD PIPE, TORQUE NUTS TO 4-6 IN/LBS.
- TOLERANCES: .XX = ±.03
.XXX = ±.010

SPECIFICATION:

FREQUENCY: 1616-1626 MHz
 POLARIZATION: RIGHT HAND CIRCULAR
 AXIAL RATIO: 3 dB MAX AT BORE SIGHT.
 RADIATION COVERAGE: +.04 dBic 0° = 0°
 +1.4 dBic 0° < θ < 45°
 -0.25 dBic 75° ≤ θ < 82°
 IMPEDANCE: 50 OHMS
 VSWR: ≤2.0:1
 POWER HANDLING: 1 WATT
 FINISH: WEATHERABLE POLYMER WHITE
 CONNECTOR: TNC FEMALE
 WEIGHT: 11 OZ
 ALTITUDE: 20,000'
 TEMPERATURE: -55°C to +85°C



DO NOT SCALE THIS DRAWING	DRAWN A. FARIAS	1/11/04
ALL DIMENSIONS ARE IN INCHES DIMENSIONING & TOLERANCING PER ANS Y14.5M	CHECKED	
TOLERANCES: .XX = ±.01 .XXX = ±.006 FRACT = ±1/32 ANG. = ±1/2°	ENGR N. INSTRATE	11/12/04
✓ SURFACE ROUGHNESS MACHINED PARTS VES MOLDED PARTS V32	MFG	
REMOVE BURRS AND BREAK SHARP EDGES: PART TO BE CLEAN AND OIL FREE	Q.L.	
UNLESS OTHERWISE SPECIFIED	APPROVED	
NEXT ASSY	DRAWN IN CAD	

AeroAntenna Technology Inc

TITLE: **Iridium Mast Ant - White**

SIZE: **B** **RST710** REV: **A**

SCALE: NONE SHEET 1 OF 1